

ICM516 SURGE PROTECTIVE DEVICE



LIMITED LIFETIME PROTECTION WARRANTY



The ICM516 is an economical, dual voltage Surge Protector.

Protects Against...

- Lightning power surges
- Voltage surges from air conditioners, generators, motors...

Features

- Easy installation
- Low cost, high performance
- Rugged, reliable
- UL Listed, Type 2 device



Mode of Operation

Surge protectors are designed to protect your equipment by dissipating momentary voltage spikes and transient power surges. Suitable for use on a circuit capable of delivering not more than 10,000 rms symmetrical amps, 240 volts max, when protected by a circuit breaker rated 30 amps maximum and 240 volts minimum.

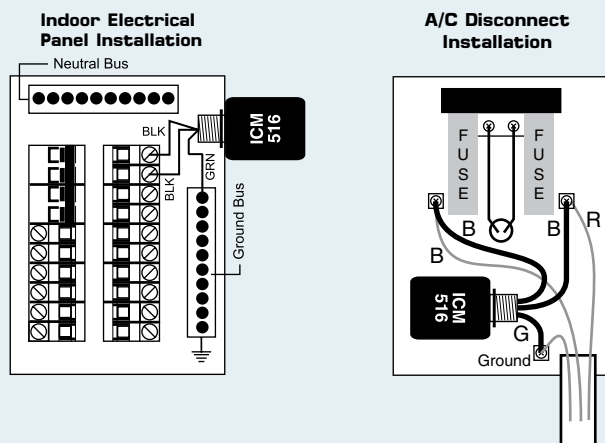
Surge Protection for

- Refrigeration systems
- Motors
- Air conditioners
- Appliances
- Electronics

Specifications

- Service Voltage:** 120/240 volt, single phase
- Maximum Surge Current:** 100,000 Amps
- Maximum Energy Dissipation:** 1,020 Joules
- Installation Point:** Electrical panel, inside electrical disconnect
- Diagnostics:** Green light indicates surge suppression present
- AC Protection Modes:** L-L, L-G
- Conduit Connection:** 3/4"
- Weight:** 0.55 lbs.

Wiring Diagrams



Dimensions

